

Mobile VR Pool (for Nokia 3650) v1.5

User Guide



Target hardware:

Hardware: Nokia 3650

Install:

1. 200K or more memory space for software installation
2. Magic Game Station (MGS). MGS 1.8 or later is required to play MVRPool. If you don't have it installed, install MGS.sis come with this package. After successfully installed, there will be an icon named 'MGS' appear in your application list.
3. Install MVRPool.sis

Note: the MGS and the Game can be installed in you phone memory or the MMC card but they must be installed in the same place.

Start the game:

Start MGS, and Mobile VR Pool will be listed for playing. Just select it and press the navigate pad to play.

Registration

MVRPool is shareware. The "Last Man Stand" and "Auto Demo" is free for play; the rest of the game is not. If you liked playing the game, please consider giving us support by registering the game. In all versions, two players can play through Bluetooth technology, but only the registered version can host a game.

You can get the full version game easily. Just enter your registration code at the 'REGISTER' page in the game. Here is the websites where you can purchase the game's registration code:

www.my-symbian.info

www.handango.com

www.mobile2day.com

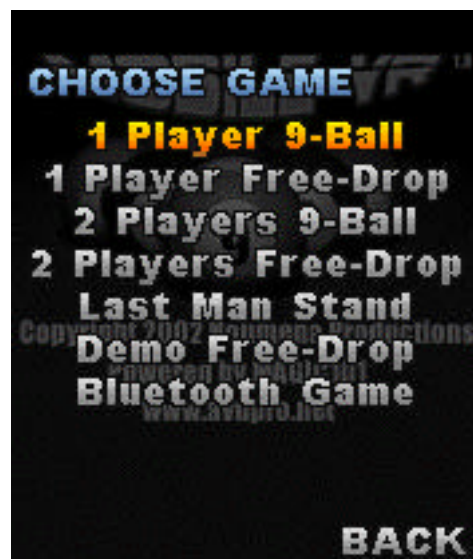
www.softwaremarket.nokia.com

The price of the game may be different from site to site. Normally it is EUR 9.95.

Game play:

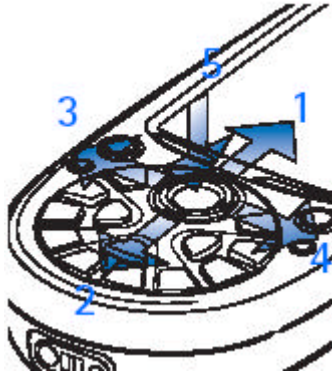
Game Modes

There are 6 different game modes available. See the screen shot.



Game Control

The game is easy to control. The navigation pad can do the most jobs.



Direction 1, 2, 3 and 4

Direction 5 (holding the navigation pad)

The left function key

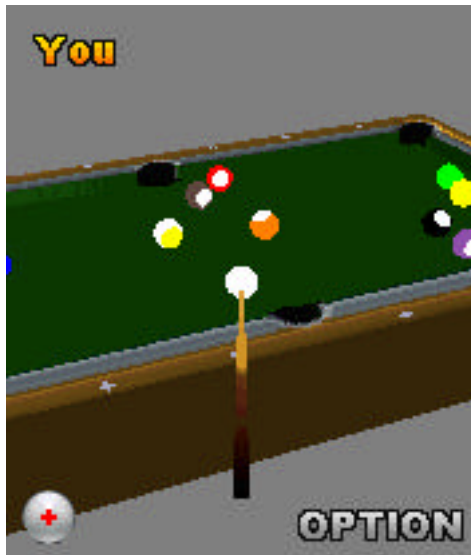
The right function key

Adjust the direction.

Adjusts the strike force.

Adjusts the spot in the ball.

Calls up the game menu.



Online documents is at www.nmprod.com

Trouble Shooting

In some special case, when a player finished a Bluetooth game, he can't host (but can join) another Bluetooth game immediately. If want host another Bluetooth game, please quit MGS and enter again.

How to Contact us

If you have any problems with the game or you have some suggestion, you can send us an E-mail using following address:

support@avdpro.net

or can visit our website:

www.nmprod.com

Appendix

Operating System:

Symbian Series 60

Programming Language:

C++

Key Features:

1. Full 3D Games
2. Bluetooth supported
3. Easily Switching between Phone and Application
4. Cross Platform
(Can play with other versions of Mobile VR Pool, such as Mobile VR Pool for Nokia 7650 or P800 etc.)
5. High Level AI
6. 256 colors
7. Game Audio