

Steel Warrior (for Nokia 3650) v1.0

User's Guide



Target hardware:

Hardware: Nokia 3650

Install:

1. 452K or more memory space for software installation
2. Magic Game Station (MGS). MGS Version 1.8 is required to play Steel Warrior. If you don't have it installed, install **mgs.sis** come with this Package.
3. Install **SteelWarrior.sis**

Note: the MGS and the Game can be installed in you phone memory or the MMC card but they must be installed in the same place.

Start the game:

Start **MGS**, and **Steel Warrior** will be listed for play.
Just select it and press the navigate pad down to play.

Registration

Steel Warrior is shareware. The first stage is free for play, the rest of the game is not. If you liked playing the game, please consider giving us support by registering the game. You can find out how

to purchase the game from the following websites:

www.my-symbian.info

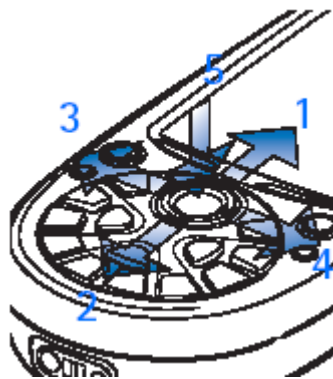
www.handango.com

www.mobile2day.com

www.softwaremarket.nokia.com

Game play:

Game Controls



Direction 1, 2, 3 and 4

Adjust the direction.

Direction 5

Fire the gun. (Only hit once. It will fire automatically)

Left Function Key

Call up the game menu.



Items in the Game



Power-up: Make your gun more powerful.



Missile-up Boost up secondary weapon, Missile.

How to Contact us

If you have any problems with the game or you have some suggestion, you can send us an E-mail using following address:

support@avdpro.net

or visit our website:

www.nmprod.com